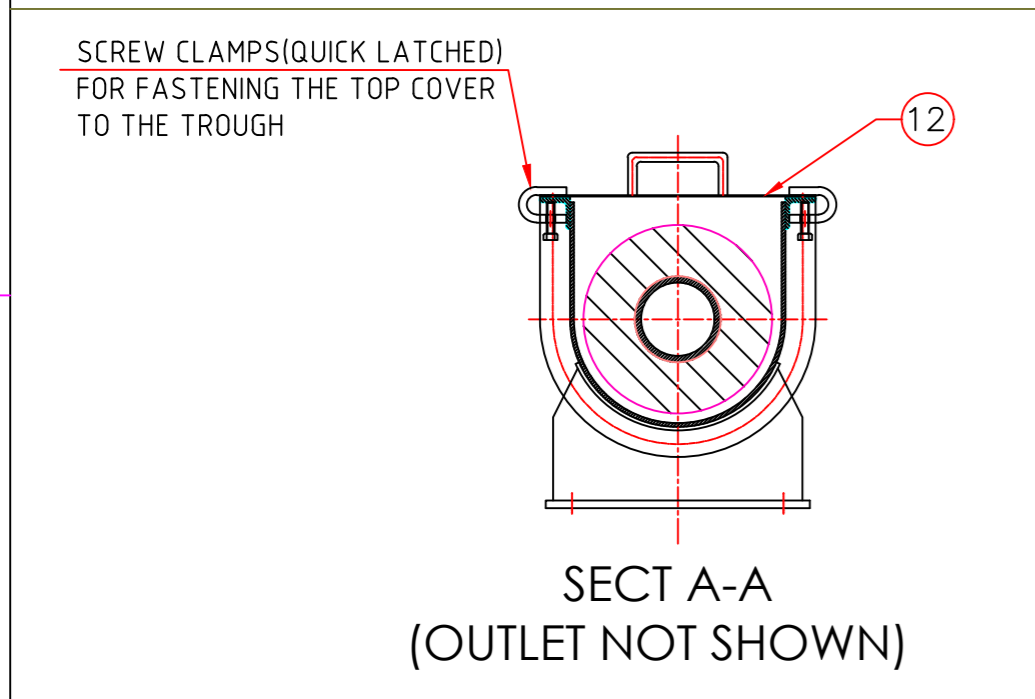
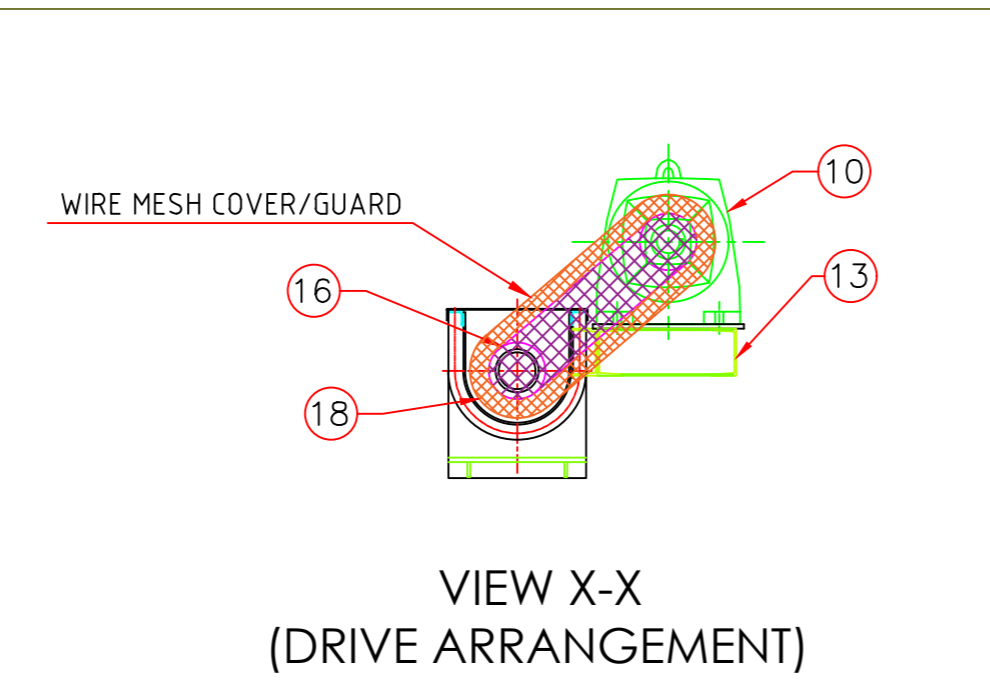


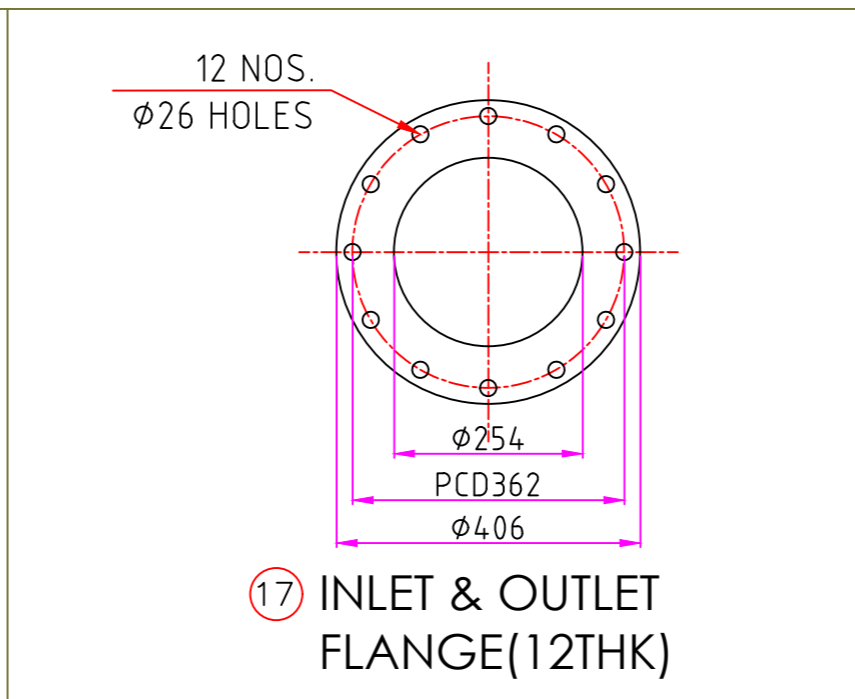
ELEVATION



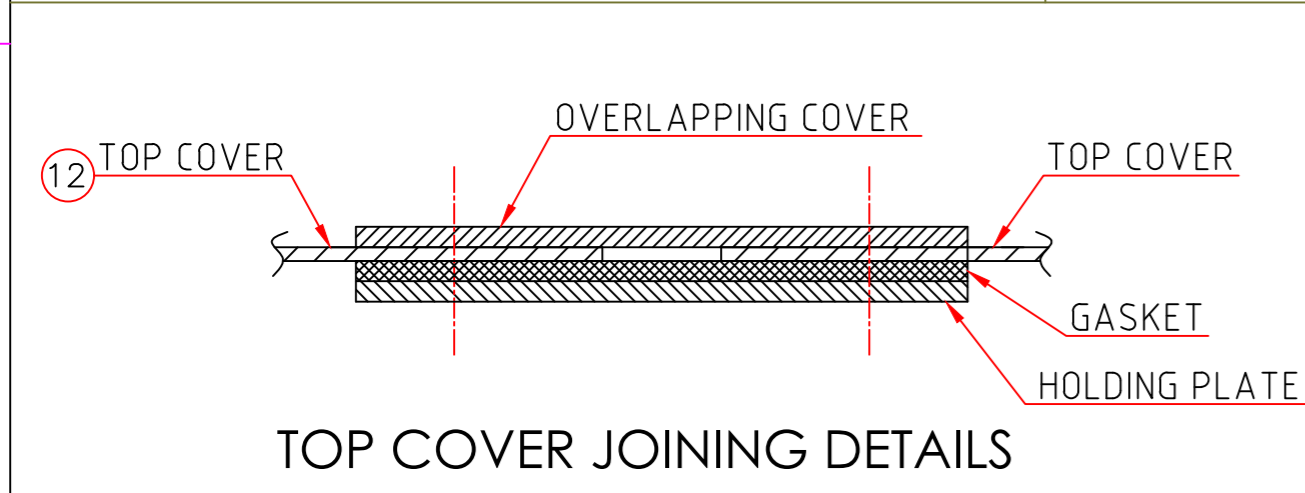
SECT A-A
(OUTLET NOT SHOWN)



VIEW X-X
(DRIVE ARRANGEMENT)



INLET & OUTLET
FLANGE(12THK)



TOP COVER JOINING DETAILS

TECHNICAL SPECIFICATIONS

20	EARTHING LUGS	02	
19	GUARD FOR ZERO SPEED SWITCH	01	
18	WIRE MESH CHAIN GUARD	01	
17	INLET & OUTLET FLANGE	1EACH	
16	CHAIN & SPROCKET	1SET	
15	ZERO SPEED SWITCH	01	
14	SHROUD	01	
13	DRIVE BASE FRAME	01	
12	TOP COVER	03	
11	SADDLE SUPPORTS	04	
10	GEARED MOTOR	01	
09	DRIVE & NONDRIVE END BEARINGS	02	
08	GLAND PACKING	1LOT	
07	GLAND	02	
06	STUFFING BOX	02	
05	END PLATE	02	
04	FLIGHT	1LOT	
03	DRIVE & NONDRIVE END SHAFT	02	
02	CENTER PIPE	01	
01	TROUGH	01	

SR.NO.	DESCRIPTION	QTY.	MATERIAL
		CLIENT	
		CONSULTANT	
		PROJECT	
DRN	-	-	TITLE-
CHKD	-	-	GA OF LIME SCREW CONVEYOR
APPD	-	-	
SCALE	NTS	-	
JOB NO.:-	-	SHEET 10F1	DRG. NO.:- FEI-000
			REV 0